

Assembly Instructions:

Step 1:

- Insert the Outer pole into the hub of the base.
- Using the 1/8" hex key, tighten 2 set screws in the bottom of the base.



Step 2:

- Remove collar from the Outer pole, and slide one support bracket down to the base of the Outer pole.
- Secure bracket with 3/32 hex key.
- Take second support bracket and tighten to the top of the Outer pole. Secure with 3/32 hex key.



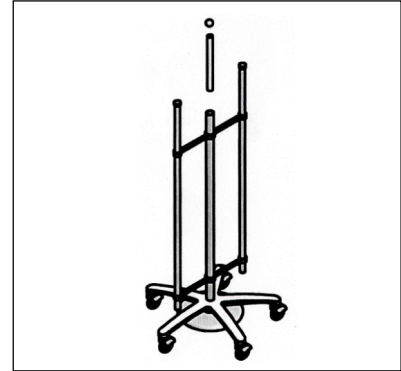
Step 3:

- Align the support brackets to make sure the poles will slide through both.
- Slide each 1" pole through the support brackets. Make sure the black caps on the bottom of the poles are facing down.
- Adjust poles until they are at the desired height. Use 3/32 Hex key, and tighten until both poles are secure.



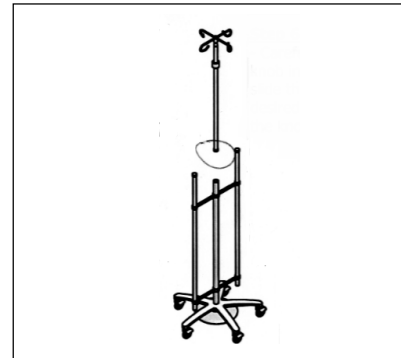
Step 4:

- Take white PVC tube, and insert into the Outer pole.
- Insert Rubber ball into Outer pole.



Step 5:

- Slide Collar onto the Inner pole.
- Insert the Inner pole into the opening of the outer pole, with white plastic going in first.
- Slider Collar down to the rim of the Outer pole.
- Secure the Collar in place with the 3/32 hex key.



Step 6:

- Carefully thread the Black knob into the Collar, and slide the Inner pole up to the desired height.
- Once the Pole is at the desired height, secure in place with the black knob.

